

Datasheet

Part no. and prices: see pricelist



VITOPLEX 200 Type SX2A

Low temperature oil/gas boiler

Three-pass boiler

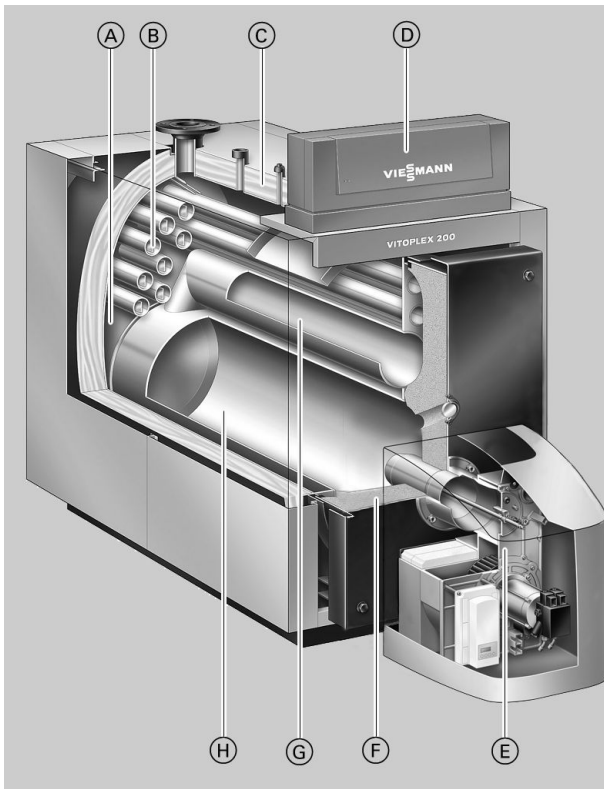
For operation with modulating boiler water temperature.

With the Vitotrans 300 as a condensing unit.

Benefits at a glance

- Economical and environmentally responsible through modulating boiler water temperature.
- Standard seasonal efficiency [to DIN] for operation with fuel oil: 89 % (H_g [gross cv])/95 % (H_i [net cv]).
- Optional stainless steel flue gas/water heat exchanger for higher standard seasonal efficiency through the utilisation of condensing technology.
- Three-pass boiler with low combustion chamber loading, resulting in clean combustion with low emissions.
- Wide water galleries and large water content provide excellent natural circulation and safe heat transfer.

- Integral Therm-Control start-up system for easy hydraulic connections – no shunt pump or return temperature raising facility required.
- No low water indicators required up to 300 kW.
- Compact design for easy handling and economical use of space – important for modernisation projects.
- Vitoflame 100 to 270 kW Unit pressure-jet oil/gas burners are available.
- Fastfix assembly system for control unit and thermal insulation.



- Ⓐ Wide water galleries and large water content ensure excellent natural circulation and easy hydraulic connection
- Ⓑ Third hot gas flue
- Ⓒ Highly effective thermal insulation
- Ⓓ Vitotronic – the new generation of controllers: Intelligent and easy to install, operate and service
- Ⓔ Viessmann Vitoflame 100 Unit burner
- Ⓕ Thermal insulation of boiler door
- Ⓖ Second hot gas flue
- Ⓗ Combustion chamber

Boiler specification

Specification

Rated heating output	kW	90	120	150	200	270	350	440	560	
Rated heat input	kW	98	130	163	217	293	380	478	609	
CE designation – according to the Efficiency Directive – according to the Gas Appliances Directive		CE-0085BQ0020						—	—	
Permiss. flow temperature (= safety temperature)	°C	110 (to 120 °C on request)								
Permiss. operating temperature	°C	95								
Permiss. operating pressure	bar	4								
Pressure drop on the hot gas side	Pa mbar	60 0.6	80 0.8	100 1.0	200 2.0	180 1.8	310 3.1	280 2.8	400 4.0	
Boiler body dimensions										
Length (dim. q) ^{*1}	mm	1195	1400	1385	1580	1600	1800	1825	1970	
Width (dim. d)	mm	575	575	650	650	730	730	865	865	
Height (incl. connectors) (dim. t)	mm	1145	1145	1180	1180	1285	1285	1455	1455	
Overall dimensions										
Total length (dim. r)	mm	1260	1460	1445	1640	1660	1860	1885	2030	
Total length with burner and hood (dim. s)	mm	1660	1860	1865	2060	2085	—	—	—	
Total width (dimension e)	mm	755	755	825	825	905	905	1040	1040	
Total height (dim. b)	mm	1315	1315	1350	1350	1460	1460	1625	1625	
Maintenance height (control unit) (dim. a)	mm	1485	1485	1520	1520	1630	1630	1795	1795	
Height										
– adjustable anti-vibration feet	mm	28	28	28	28	28	28	28	28	
– anti-vibration boiler supports (loaded)	mm	—	—	—	—	—	37	37	37	
Foundations										
Length	mm	1000	1200	1200	1400	1400	1650	1650	1800	
Width	mm	760	760	830	830	900	900	1040	1040	
Combustion chamber diameter	mm	380	380	400	400	480	480	570	570	
Combustion chamber length	mm	800	1000	1000	1200	1200	1400	1400	1550	
Weight boiler body	kg	300	345	405	455	630	700	925	1025	
Total weight Boiler with thermal insulation and boiler control unit	kg	345	390	455	505	680	760	990	1095	
Total weight Boiler with thermal insulation, burner and boiler control unit	kg	375	420	485	535	710	—	—	—	
Content boiler water	litres	180	210	255	300	400	445	600	635	
Boiler connections										
Boiler flow and return	PN 6 DN	65	65	65	65	65	80	100	100	
Safety connection (safety valve)	R	1¼	1¼	1¼	1¼	1¼	1¼	1½	1½	
Drain	R				1¼					
Flue gas parameters^{*2}										
Temperature (at boiler water temperature 60 °C)										
– at rated heating output	°C				180					
– at partial load	°C				125					
Temperature (at boiler water temperature 80 °C)	°C				195					
Flue gas mass flow rate										
– for natural gas	kg/h				1.5225 x combustion output in kW					
– for fuel oil EL	kg/h				1.5 x combustion output in kW					
Required draught	Pa/mbar				0					
Flue outlet	Ø mm	180	180	200	200	200	200	250	250	
Standard seasonal efficiency [to DIN] (for operation with fuel oil) at heating system temp. 75/60 °C	%	89 (H _s [gross cv])/95 (H _i [net cv])								

*1 Boiler door removed.

*2 Values for calculating the size of the flue system to EN 13384 relative to 13.2 % CO₂ for fuel oil EL and 10 % CO₂ for natural gas.

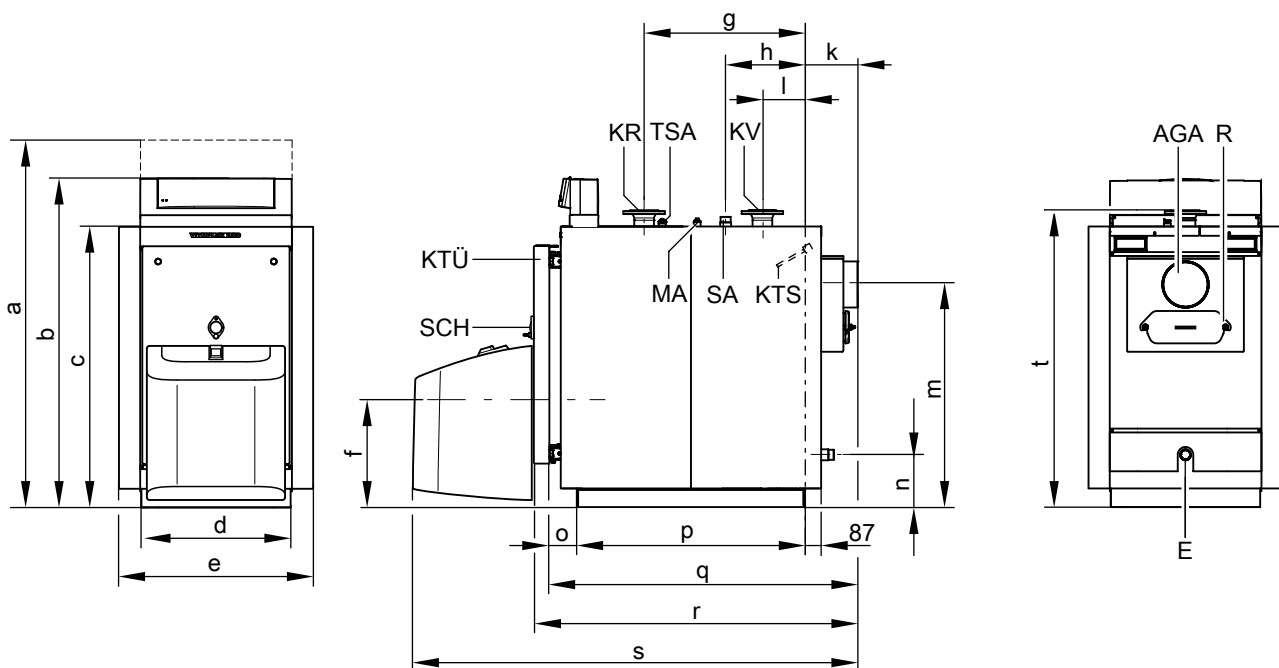
Flue gas temperatures as actual gross values at 20 °C combustion air temperature.

The details for partial load refer to 60 % of the rated heating output. Calculate the flue gas mass flow rate accordingly if the partial load differs from that stated (subject to operating mode).

Boiler specification (cont.)

Rated heating output	kW	90	120	150	200	270	350	440	560
Standby loss $q_{B,70}$	%	0.40	0.35	0.30	0.30	0.25	0.25	0.22	0.20
Matching Vitotrans 300									
– operation with gas	Part no.	Z000 701		Z000 702		Z002 118		Z000 704	
– operation with fuel oil	Part no.	Z000 705		Z000 706		Z002 120		Z000 708	
Rated heating output									
Boiler with Vitotrans 300									
– operation with gas	kW	98.7	131.4	164.3	219.0	295.6	383.3	478.7	608.9
– operation with fuel oil	kW	95.8	127.8	159.8	213.0	287.5	372.7	466.4	593.5
CE designation									
Vitotrans 300 in conjunction with a boiler as a condensing unit									
CE-0085BS0287									
Pressure drop on the hot gas side									
Boiler with Vitotrans 300									
	Pa	125	145	185	285	280	410	385	505
	mbar	1.25	1.45	1.85	2.85	2.80	4.10	3.85	5.05
Total length									
Boiler with Vitotrans 300 without burner									
	mm	1990		2290		2570		2950	

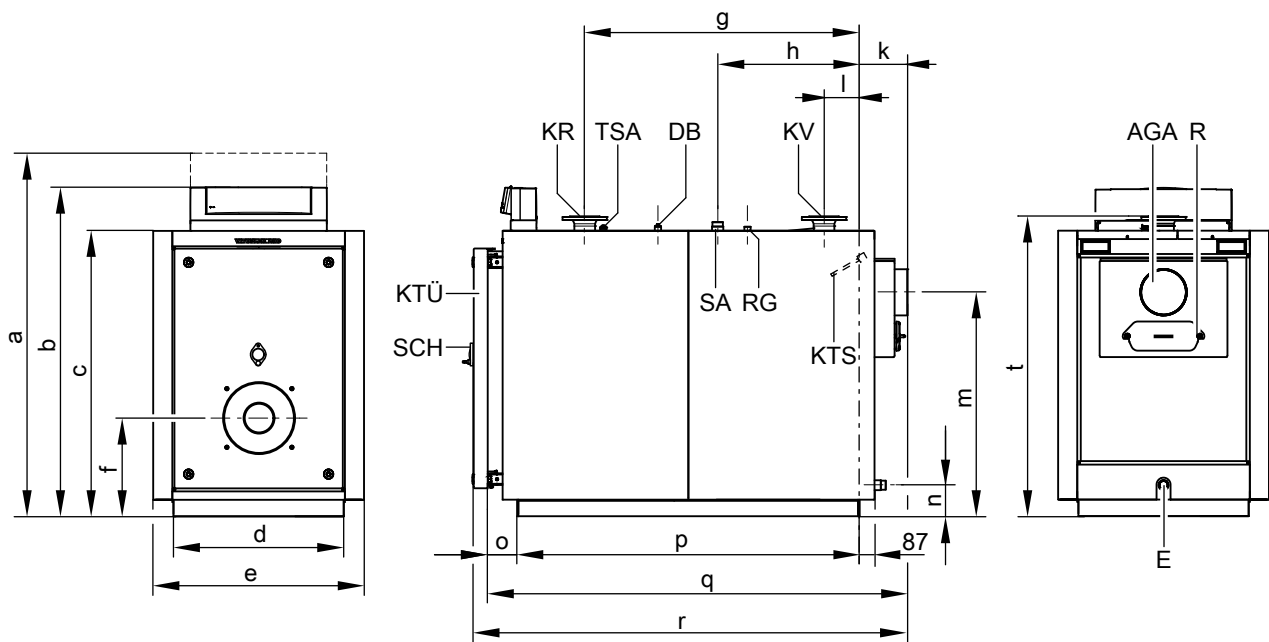
Dimensions



90 to 270 kW

AGA	Flue outlet	MA	Female connection for pressure gauge (R ½)
E	Drain	R	Cleaning aperture
KR	Boiler return	SA	Safety connection (safety valve)
KTS	Boiler water temperature sensor	SCH	Inspection port
KTÜ	Boiler door	TSA	Female connection for Therm-Control temperature sensor (R ½)
KV	Boiler flow		

Boiler specification (cont.)



350 to 560 kW

AGA	Flue outlet	R	Cleaning aperture
DB	Female connection for maximum pressure limiter (R ½)	RG	Female connection for additional control equipment (R ½)
E	Drain	SA	Safety connection (safety valve)
KR	Boiler return	SCH	Inspection port
KTS	Boiler water temperature sensor	TSA	Female connection for Therm-Control temperature sensor (R ½)
KTÜ	Boiler door		
KV	Boiler flow		

Dimensions

Rated heating output	kW	90	120	150	200	270	350	440	560
a	mm	1485	1485	1520	1520	1630	1630	1795	1795
b	mm	1315	1315	1350	1350	1460	1460	1625	1625
c	mm	1085	1085	1115	1115	1225	1225	1395	1395
d	mm	575	575	650	650	730	730	865	865
e	mm	755	755	825	825	905	905	1040	1040
f	mm	440	440	440	440	420	420	470	470
g	mm	622	825	811	1009	979	1179	1146	1292
h	mm	307	395	324	423	409	609	710	783
k	mm	203	203	203	203	203	203	224	224
l	mm	165	165	151	151	153	153	166	166
m	mm	860	860	885	885	960	960	1110	1110
n	mm	200	200	190	190	135	135	135	135
o	mm	110	110	110	110	130	130	130	130
p (length of base rails)	mm	882	1085	1071	1268	1269	1469	1471	1617
q (transport dimension)	mm	1195	1400	1385	1580	1600	1800	1825	1970
r	mm	1260	1460	1445	1640	1660	1860	1885	2030
s	mm	1670	1875	1880	2075	2095	—	—	—
t	mm	1145	1145	1180	1180	1285	1285	1455	1455

The boiler door can be removed if access to the boiler room is restricted.

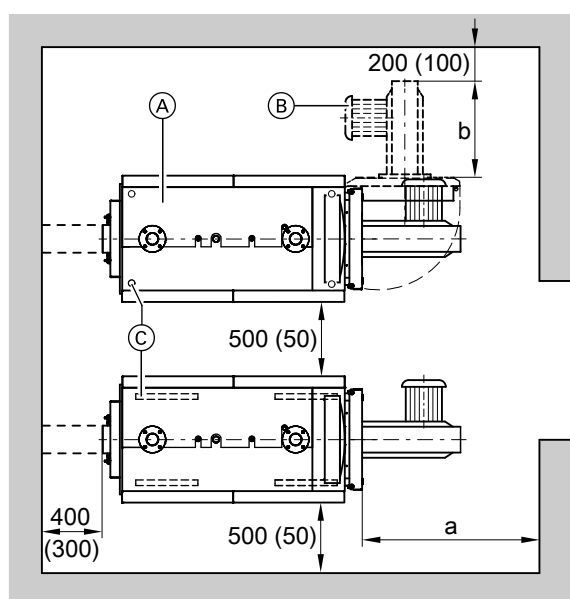
Dim. f: Observe the installed height of the burner.

Dim. q: Boiler door removed.

Boiler specification (cont.)

Siting

Minimum clearances



To enable convenient installation and maintenance, observe the stated clearance dimensions; maintain the minimum clearances where space is tight (dimensions in brackets). In the delivered condition, the boiler door opens to the left. You can reposition the hinge bolts so that the door can open to the right.

- (A) Boiler
- (B) Burner
- (C) Adjustable anti-vibration feet (90 to 560 kW) or anti-vibration boiler supports (350 to 560 kW)

Rated heating output	kW	90	120	150	200	270	350	440	560
a	mm	1100			1400		1600		

Dim. a: Maintain this space in front of the boiler to enable the withdrawal of the turbulators or for cleaning the hot gas flues.

Dim. b: Observe the installed length of the burner.

Installation conditions

- Avoid air contamination by halogenated hydrocarbons (e.g. as contained in sprays, paints, solvents and cleaning agents)
- Avoid very dusty conditions
- Avoid high levels of humidity
- Prevent frost and ensure good ventilation

Otherwise, the system may suffer faults and damage. In rooms where air contamination through **halogenated hydrocarbons** may occur, install the boiler only if adequate measures can be taken to provide a supply of uncontaminated combustion air.

Burner installation

Boiler up to 120 kW:

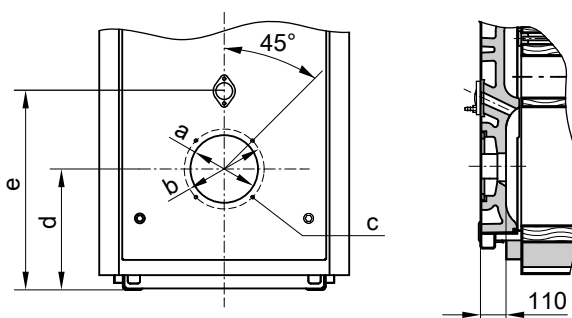
The burner fixing hole circle, burner fixing holes and blast tube aperture meet the requirements of EN 226.

Boiler from 150 kW:

The burner fixing hole circle, burner fixing holes and blast tube aperture comply with the following table.

The burner may be fitted directly to the hinged boiler door. Fit the burner plate included in the standard delivery if the burner dimensions deviate from those stated in the following table.

Burner plates may be factory-fitted on request (chargeable option). For this, please state the burner make and type when ordering. The blast tube must protrude through the thermal insulation on the boiler door.

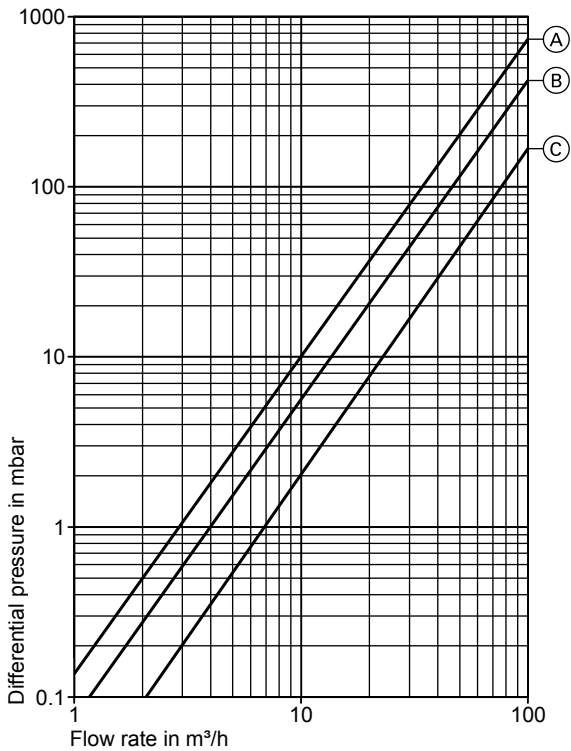


Rated heating output	kW	90	120	150	200	270	350	440	560
a	Ø mm	135	135	240	240	240	240	290	290
b	Ø mm	170	170	270	270	270	270	330	330
c	number/thread	4/M 8	4/M 8	4/M 10	4/M 10	4/M 10	4/M 10	4/M 12	4/M 12

Boiler specification (cont.)

Rated heating output	kW	90	120	150	200	270	350	440	560
d	mm	440	440	440	440	420	420	470	470
e	mm	650	650	650	650	670	670	780	780

Pressure drop on the heating water side



The Vitoplex 200 is only suitable for fully pumped hot water heating systems.

- Ⓐ Rated heating output of 90 to 270 kW
- Ⓑ Rated heating output 350 kW
- Ⓒ Rated heating output 440 and 560 kW

Vitotrans 300 specification

Specification

Vitotrans 300		Z000 701	Z000 702	Z002 118	Z000 704
– Gas operation	Part no.	Z000 705	Z000 706	Z002 120	Z000 708
– Oil operation	Part no.				
Rated boiler output	kW	90-125	140-200	230-350	380-560
Rated output range of the Vitotrans 300 for					
– Gas operation	from kW	8.7	12.7	21.8	33.3
	to kW	11.9	19.0	33.3	48.9
– Oil operation	from kW	5.8	8.8	14.9	22.9
	to kW	8.1	13.0	22.7	33.5
Permiss. operating pressure	bar	4			6
Permissible flow temperature (= safety temperature)	°C	110			
Hot gas pressure drop	Pa	65	85	100	105
	mbar	0.65	0.85	1.00	1.05
Flue gas temperature					
– Gas operation	°C	65			
– Oil operation	°C	70			
Flue gas mass flow rate	from kg/h	136	213	383	546
	to kg/h	213	341	596	954
Overall dimensions					
Total length (dimension h), incl. mating flanges	mm	666	777	856	967
Total width (dimension b)	mm	714	760	837	928
Total height (dimension c)	mm	1037	1152	1167	1350
Transport dimensions					
Length excl. mating flanges	mm	648	760	837	928
Width (dimension a)	mm	618	636	706	839
Height (dimension d)	mm	1081	1098	1172	1296
Heat exchanger weight	kg	94	119	144	234
Total weight	kg	125	150	188	284
Heat exchanger with thermal insulation					
Capacity					
Heating water	litres	70	97	134	181
Flue gas	m ³	0.055	0.096	0.133	0.223
Connections					
Heating water flow and return	DN	40	50	50	65
Condensate drain	R		1/2		
Flue gas connection					
– to the boiler	NW	180	200	200	250
– to the flue system	NW	150	200	200	250

Rated output range of the Vitotrans 300 and flue gas temperature


Output of the Vitotrans 300 for flue gas cooling during gas operation of 200/65 °C, during oil operation of 200/70 °C and a heating water temperature rise in the Vitotrans 300 of 40 °C to 42.5 °C.

For conversion to other temperatures, see chapter "Output data".

Hot gas pressure drop

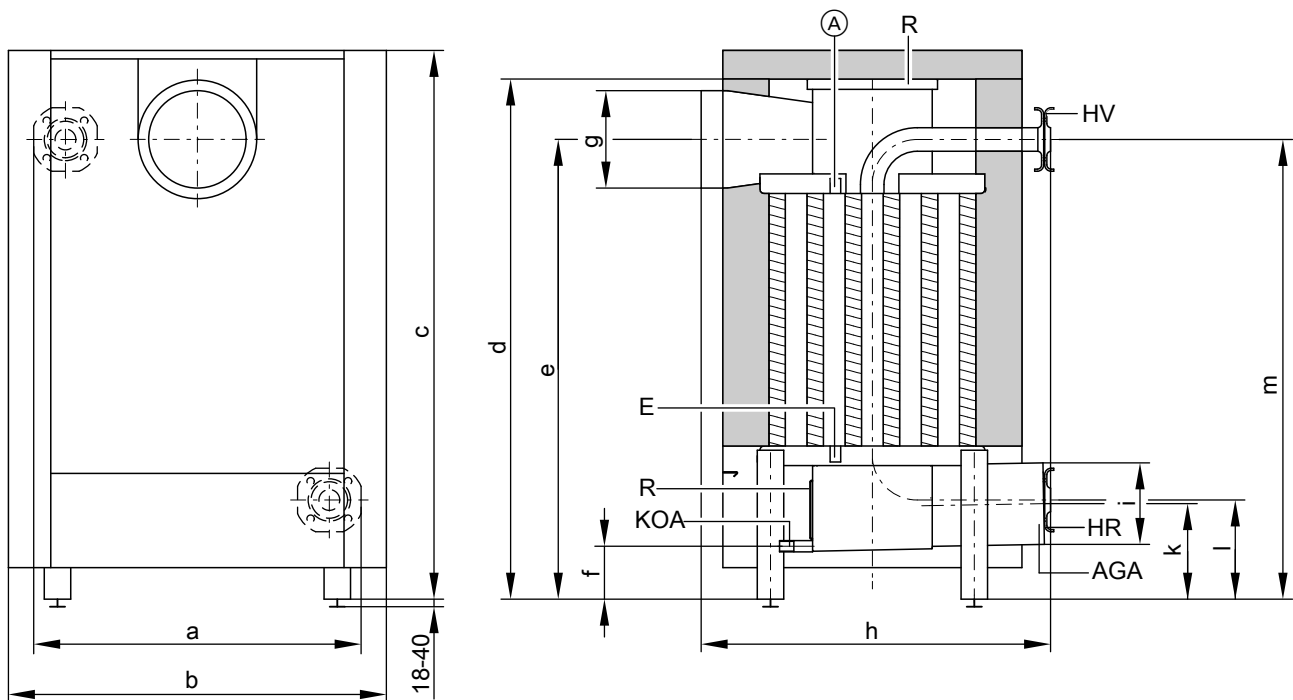
Hot gas pressure drop at rated output. The burner must be able to overcome the hot gas pressure drop of the boiler, that of the Vitotrans 300 and that of the flue. Viessmann Vitoflame 100 burners are unsuitable for use with the Vitotrans 300.

Approved quality

 CE designation according to current EC Directives at a permissible flow temperature (safety temperature) of up to 110 °C to EN 12828.

Vitotrans 300 specification (cont.)

Dimensions



(A) Additional fem. connection (R ½")
 AGA Flue outlet
 E Drain (R ½")
 HR Heating water return (inlet)

HV Heating water flow (outlet)
 KOA Condensate drain (R ½")
 R Cleaning aperture

Dimensions

Part no.		Z000 701	Z000 702	Z002 118	Z000 704
		Z000 705	Z000 706	Z002 120	Z000 708
a	mm	618	636	706	839
b	mm	714	760	837	928
c	mm	1037	1152	1167	1350
d	mm	1081	1098	1172	1296
e	mm	851	907	960	1080
f	mm	100	119	80	150
g (internal)	∅ mm	181	201	201	251
h	mm	666	777	856	967
i (internal)	∅ mm	151	201	201	251
k	mm	181	223	184	284
l	mm	187	227	198	285
m	mm	868	954	963	1130

Delivered condition

Heat exchanger body with fitted flue gas header. Mating flanges are fitted to all the connectors.

1 carton with thermal insulation

Connection on the flue gas side

Connect the boiler flue gas connectors and those of the flue gas/water heat exchanger through a connection collar (accessory) (not welded).

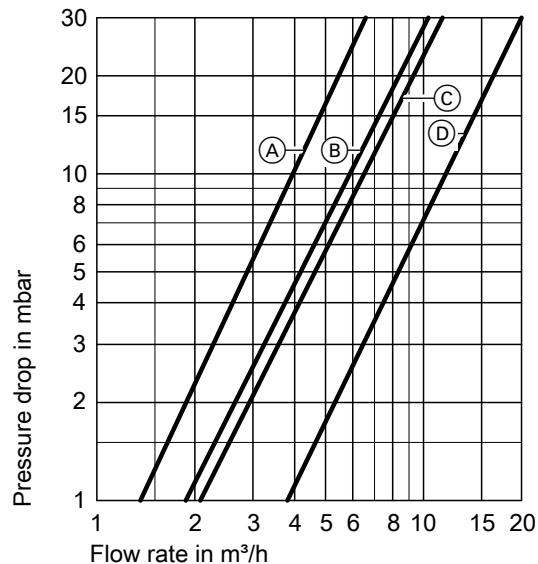
Height compensation:

- Vitoplex boiler through adjustable screws
- Vitorond boiler through on-site adaptor

Vitotrans 300 specification (cont.)

Pressure drop on the heating water side

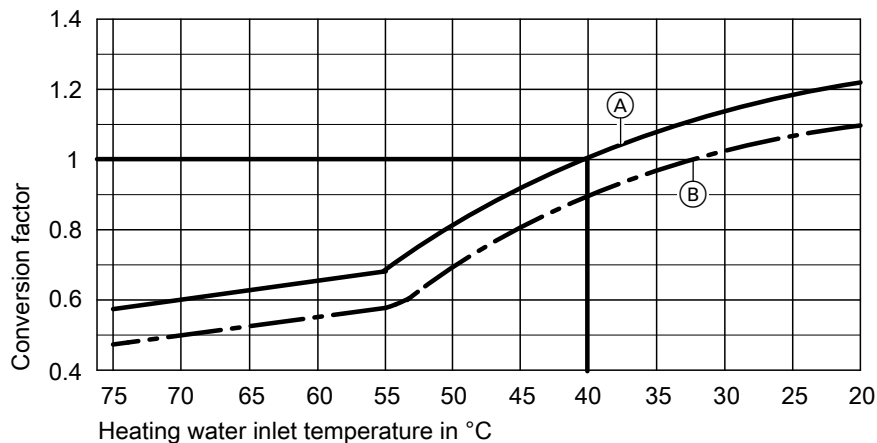
Part no. Z000 701, Z000 702, Z000 704, Z000 705, Z000 706, Z000 708, Z002 118 and Z002 120



Part no.	Curve
Z000 701	(A)
Z000 705	(A)
Z000 702	(B)
Z000 706	(B)
Z002 118	(C)
Z002 120	(C)
Z000 704	(D)
Z000 708	(D)

Output data

Vitotrans 300 for gas operation



- (A) Flue gas inlet temperature 200 °C
- (B) Flue gas inlet temperature 180 °C

Conversion of the output data

The output data of the Vitotrans 300 flue gas/water heat exchanger refers to a flue gas inlet temperature of 200 °C and a heating water inlet temperature into the heat exchanger of 40 °C.

For different conditions the output can be calculated by multiplying the given rated output by the conversion factor established from the diagram.

Boiler delivered condition

Boiler body with fitted boiler door and cleaning cover.
Mating flanges are fitted to all connectors.
Adjustable feet are supplied in the combustion chamber.
Cleaning equipment can be found on top of the boiler.

- 2 Cartons with thermal insulation
- 1 Carton containing the boiler control unit and 1 bag with technical documentation
- 1 Therm-Control

Boiler delivered condition (cont.)

- 1 Product pack (boiler coding card and Vitoplex 200 technical documentation)
- 1 Burner plate (from 150 kW)
 - Vitoplex 200, 90 to 270 kW:
Vitoflame 100 pressure-jet oil or gas burner, subject to order.
 - Vitoplex 200, 350 to 560 kW:
Suitable pressure-jet oil/gas burners are available from Weishaupt or ELCO (see pricelist) and should be ordered separately. Delivery direct from Weishaupt or ELCO.

Control unit versions

For single boiler systems:

- **Vitotronic 100** (type GC1B)
Boiler control unit for constant boiler water temperature
- **Vitotronic 200** (type GW1B)
Weather-compensated boiler control unit
- **Vitotronic 300** (type GW2B)
Weather-compensated boiler and heating circuit control unit for up to 2 heating circuits with mixers
- **Vitotronic 200-H** (type HK1B or HK3B)
Weather-compensated heating circuit control unit for 1 or up to 3 heating circuits with mixers
- **Vitocontrol control panel**

For multi boiler systems (up to 4 boilers):

- **Vitotronic 100** (type GC1B) and **LON module** with **Vitotronic 300-K** (type MW1B)
For weather-compensated cascade control of up to 4 boilers and control of up to 2 heating circuits with mixers.
(The first boiler is delivered with the standard control equipment for the multi boiler system.)
- **Vitotronic 100** (type GC1B) and **LON module** for every additional boiler in the multi boiler system
- **Vitotronic 200-H** and **LON module** (type HK1B or HK3B) for 1 or up to 3 heating circuits with mixers
- **Vitocontrol control panel**

Boiler accessories

See pricelist and "Boiler accessories" datasheet.

Operating conditions with Vitotronic boiler control units

For water quality requirements, see the technical guide to this boiler.

	Requirements	
	≥ 60 %	< 60 %
1. Heating water flow rate	None	
2. Boiler return temperature (minimum value)* ³	None* ⁴	
3. Lower boiler water temperature	– Operation with fuel oil 50 °C – Operation with gas 60 °C	– Operation with fuel oil 60 °C – Operation with gas 65 °C
4. Two-stage burner operation	Stage 1: 60 % of rated heating output	No minimum load required
5. Modulating burner operation	Between 60 and 100 % of rated heating output	No minimum load required
6. Reduced mode	Single boiler systems and lead boiler of multi boiler systems – operation with the lower boiler water temperature Lag boilers of multi boiler systems – Can be shut down	
7. Weekend setback	As per reduced mode	

Design information

Installation of a suitable burner

The burner must be suitable for the relevant rated heating output and the pressure drop on the hot gas side of the boiler (see burner manufacturer's specification).

The material of the burner head must be suitable for operating temperatures of at least 500 °C.

Pressure-jet oil burner

The burner must be tested and designated to EN 267.

Pressure-jet gas burner

The burner must be tested to EN 676 and CE-designated in accordance with Directive 2009/142/EC.

Burner adjustment

Adjust the oil or gas throughput of the burner to suit the rated boiler heating output.

*³ The technical guide (system examples) contains relevant examples for the installation of the Therm-Control start-up system.

*⁴ No requirements; only in conjunction with Therm-Control.

Design information (cont.)

Low water indicator

A low water indicator to EN 12828 is not required for Vitoplex 200 boilers up to 300 kW (except in attic heating centres), if the standard boiler control unit is fitted as per the installation instructions.

In the event of a water shortage due to a leak in the heating system and simultaneous burner operation, the burner control unit will be automatically shut down before the boiler and/or flue system reach unacceptably high temperatures.

Permissible flow temperatures

Hot water boilers for permissible flow temperatures (= safety temperatures)

- up to 110 °C
CE designation:
CE-0085 (90 to 350 kW) in accordance with the Efficiency Directive and
CE-0085 in accordance with the Gas Appliances Directive
- Above 110 °C (up to 120 °C) (with individual acceptance on request)
CE designation:
CE-0035 according to the Pressure Equipment Directive
Additional safety equipment is required for operation with a safety temperature above 110 °C.
 - **90 and 120 kW** boilers must be supervised in accordance with the Health & Safety at Work Act [Germany] when operated with a safety temperature **above 110 °C**. In accordance with conformity assessment diagram no. 5 of the EU Pressure Equipment Directive, these boilers must be classed as category IV.
Prior to commissioning, this system must be tested by an authorised body (e.g. TÜV [Germany]).
 - **150 to 560 kW** boilers must be supervised in accordance with the Health & Safety at Work Act [Germany] when operated with a safety temperature **above 110 °C**. In accordance with conformity assessment diagram no. 5 of the EU Pressure Equipment Directive, these boilers must be classed as category IV.
The system must be tested prior to commissioning.
 - Annually – external inspection (inspection of the safety equipment and the water quality),
 - Every three years – internal inspection (as an alternative, a water pressure test is an option)
 - Every nine years – water pressure test (for max. test pressure, see the type plate).The test must be carried out by an authorised body (e.g. TÜV [Germany]).

For further information on design/engineering

See the technical guide to this boiler.

Tested quality

 CE designation according to current EC Directives.



Subject to technical modifications.

Viessmann Werke GmbH&Co KG
D-35107 Allendorf
Telephone: +49 6452 70-0
Fax: +49 6452 70-2780
www.viessmann.com

Viessmann Limited
Hortonwood 30, Telford
Shropshire, TF1 7YP, GB
Telephone: +44 1952 675000
Fax: +44 1952 675040
E-mail: info-uk@viessmann.com

Printed on environmentally friendly,
chlorine-free bleached paper

