

## Datasheet

Part no. and prices: see pricelist



### **VITOPLEX 200** Type SX2A

Low temperature oil/gas boiler

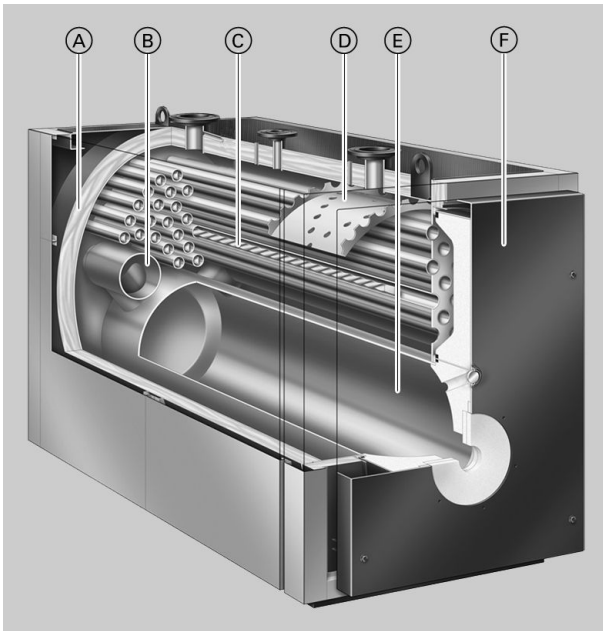
Three-pass boiler

For operation with modulating boiler water temperature

With a Vitotrans 300 as condensing unit.

## Benefits at a glance

- Economical and environmentally responsible through modulating boiler water temperature.
- Standard seasonal efficiency [to DIN] for operation with fuel oil: 89 % ( $H_s$  [gross cv])/95 % ( $H_i$  [net cv]).
- Optional stainless steel flue gas:water heat exchanger for higher standard seasonal efficiency through condensing.
- Three-pass boiler with low combustion chamber loading, resulting in clean combustion with low emissions.
- Wide water galleries and a large water content provide excellent natural circulation and reliable heat transfer.
- Long burner runtimes and fewer cycle intervals, due to large water content, protect the environment.
- Compact design for easy handling in boiler rooms – important for modernisation projects.
- An economical and safe operation of the heating system is ensured by the digital Vitotronic control system with communication capability. Standardised LON BUS for complete integration into building management systems.



- Ⓐ Highly effective thermal insulation
- Ⓑ Second hot gas flue
- Ⓒ Third hot gas flue
- Ⓓ Water deflector with return injectors
- Ⓔ Combustion chamber (first pass)
- Ⓕ Boiler door

## Boiler specification

### Specification

Rated heating output	kW	700	900	1100	1300	1600	1950
Rated heat input	kW	761	978	1196	1413	1739	2120
CE designation		CE-0085BQ0020					
in accordance with the Gas Appliances Directive							
Permiss. flow temperature (= safety temperature)	°C	110 (to 120 °C on request)					
Permiss. operating temperature	°C	95					
Permiss. operating pressure	bar	6					
Pressure drop on the hot gas side	Pa mbar	270 2.7	460 4.6	400 4.0	570 5.7	650 6.5	850 8.5
<b>Boiler body dimensions</b>							
Length (dim. k) *1	mm	2200	2500	2450	2670	3075	3075
Width (dim. c)	mm	1085	1085	1180	1180	1280	1280
Height (incl. connectors) (dim. e)	mm	1670	1670	1900	1900	2120	2120
<b>Overall dimensions</b>							
Total length (dim. f)	mm	2280	2580	2530	2750	3175	3175
Total width							
– with control unit (dim. a)	mm	1460	1460	1555	1555	1660	1660
– without control unit (dim. b)	mm	1285	1285	1380	1380	1485	1485
Total height (incl. lifting eyes) (dim. h)	mm	1690	1690	1920	1920	2140	2140
Height of anti-vibration boiler supports (loaded)	mm	37	37	37	37	37	37
<b>Foundations</b>							
Length	mm	1900	2200	2150	2300	2700	2700
Width	mm	1200	1200	1300	1300	1400	1400
Combustion chamber diameter	mm	620	620	720	720	720*2	720*2
Combustion chamber length	mm	1700	2000	1930	2150	2530	2530
Weight boiler body	kg	1525	1655	2150	2330	3030	3190
Total weight Boiler with thermal insulation and boiler control unit	kg	1640	1780	2285	2475	3210	3370
Content boiler water	litre	935	1325	1525	1690	2510	2420
<b>Boiler connections</b>							
Boiler flow and return	PN 6 DN	100	100	125	125	150	150
Safety connection (safety valve)	PN 16 DN	50	50	65	65	65	65
Drain	R (external)	1¼	1¼	1¼	1¼	1¼	1¼
<b>Flue gas parameters</b> *3							
Temperature (at 60 °C boiler water temperature)							
– at rated heating output	°C			180			
– at partial load	°C			125			
Temperature (at 80 °C boiler water temperature)	°C			195			
Flue gas mass flow rate							
– for natural gas	kg/h			1.5225 x combustion output in kW			
– for fuel oil EL	kg/h			1.5 x combustion output in kW			
Required draught	Pa/mbar			0			
Flue gas connection	Ø mm	300	300	350	350	400	400
Total gas capacity Combustion chamber, hot gas flues, return pipes, diverter and flue gas collector	m <sup>3</sup>	0.90	1.00	1.35	1.45	2.50	2.50
<b>Standard seasonal efficiency [to DIN]</b> (for operation with fuel oil) At heating system temp. 75/60 °C	%	89 (H <sub>s</sub> [gross cv])/95 (H <sub>i</sub> [net cv])					
Standby loss q <sub>B,70</sub>	%	0.15	0.13	0.13	0.12	0.13	0.11
<b>Matching Vitotrans 300</b> – gas operation	Part no.	Z007 212		Z007 213		Z007 214	

\*1 Boiler door removed.

\*2 Conical combustion chamber 720/840 mm (combustion chamber diameter front/rear)

\*3 Values for calculating the size of the flue system to EN 13384 relative to 13.2 % CO<sub>2</sub> for fuel oil EL and 10 % CO<sub>2</sub> for natural gas.

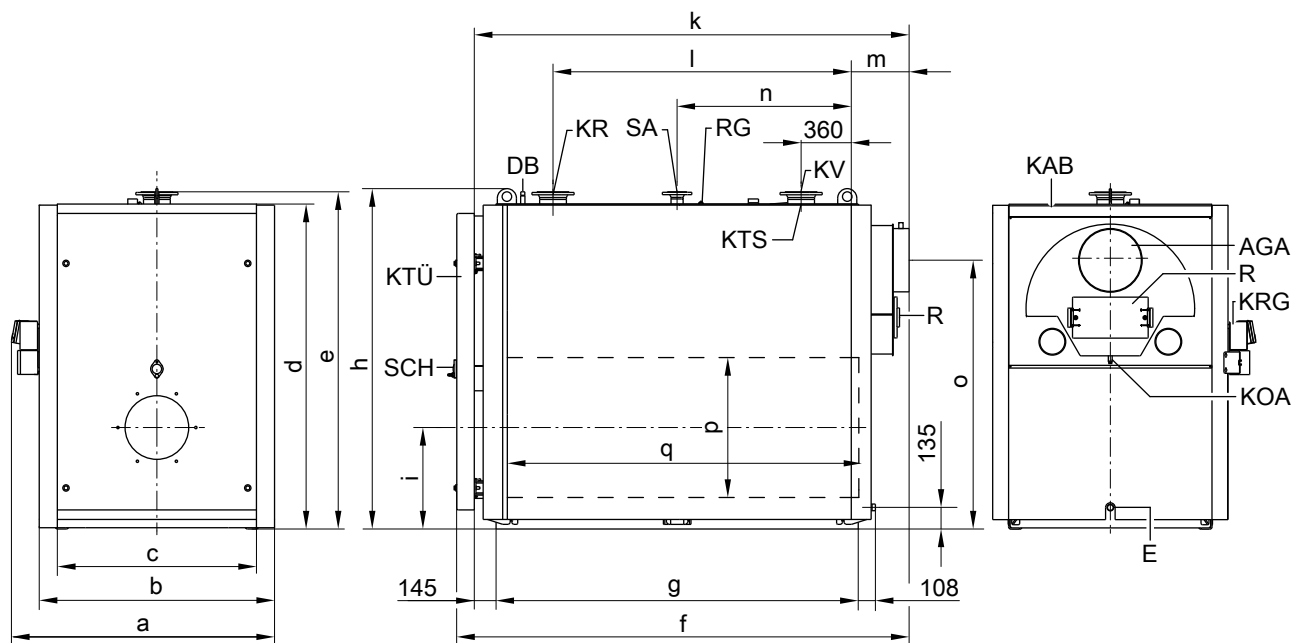
Flue gas temperatures captured as gross values at 20 °C combustion air temperature.

The details for partial load refer to 60 % of the rated heating output. Calculate the flue gas mass flow rate accordingly if the partial load differs from that stated (subject to operating mode).

## Boiler specification (cont.)

Rated heating output	kW	700	900	1100	1300	1600	1950
– oil operation	Part no.	Z007 215		Z007 216		Z007 217	
<b>Rated heating output</b>							
Boiler with Vitotrans 300							
– gas operation	kW	773.5	994.5	1215.0	1436.0	1768.0	2154.0
– oil operation	kW	750.0	964.0	1179.0	1393.0	1715.0	2090.0
<b>CE designation</b>		CE-0085BS0287					
Vitotrans 300 in conjunction with a boiler as a condensing unit							
<b>Pressure drop on the hot gas side</b>	Pa	320	540	520	730	640	1010
	mbar	3.2	5.4	5.2	7.3	6.4	10.1
Boiler with Vitotrans 300							
<b>Total length</b>	mm	3820	4120	3670	3890	4140	4470
Boiler with Vitotrans 300 without burner							

## Dimensions



AGA	Flue outlet	KTS	Boiler water temperature sensor (shown offset)
DB	Female connection for maximum pressure limiter (R ½)	KTÜ	Boiler door
E	Drain	KV	Boiler flow
KAB	Boiler cover (walk-on)	R	Cleaning aperture
KOA	Condensate drain	RG	Female connection for additional control equipment (R ½)
KR	Boiler return	SA	Safety connection (safety valve)
KRG	Boiler control unit	SCH	Inspection port

### Dimensions

Rated heating output	kW	700	900	1100	1300	1600	1950
a	mm	1460	1460	1555	1555	1660	1660
b	mm	1285	1285	1380	1380	1485	1485
c	mm	1085	1085	1180	1180	1280	1280
d	mm	1590	1590	1815	1815	2035	2035
e	mm	1670	1670	1900	1900	2120	2120
f	mm	2280	2580	2530	2750	3175	3175
g (length of the base rails)	mm	1775	2075	2005	2225	2610	2610
h	mm	1690	1690	1920	1920	2140	2140
i	mm	525	525	580	580	640	640
k (transport dimension)	mm	2200	2500	2450	2670	3075	3075
l	mm	1420	1720	1650	1870	2250	2250
m	mm	280	280	300	300	320	320
n	mm	890	1040	1005	1115	1305	1305
o	mm	1270	1270	1480	1480	1690	1690

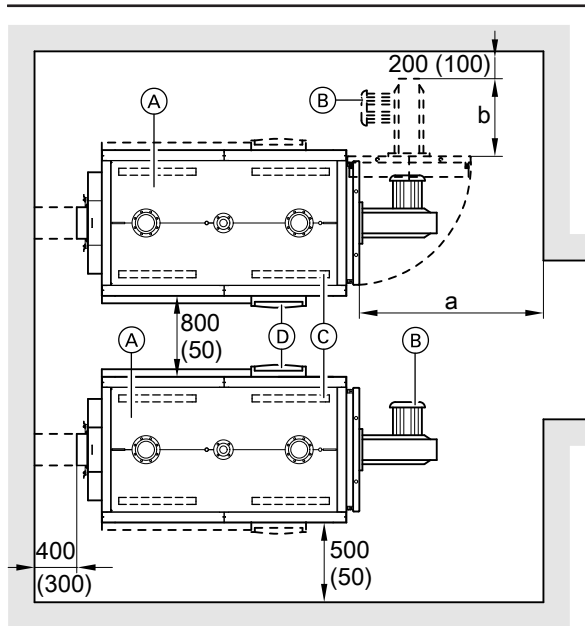
## Boiler specification (cont.)

Rated heating output	kW	700	900	1100	1300	1600	1950
p	∅ mm	620	620	720	720	720 <sup>*4</sup>	720 <sup>*4</sup>
q	mm	1700	2000	1930	2150	2530	2530

Dim. k: Boiler door removed

## Siting

### Minimum clearances



To enable convenient installation and maintenance, observe the stated clearance dimensions; maintain the minimum clearances where space is tight (dimensions in brackets). In the delivered condition, the boiler door opens to the right. You can reposition the hinge pins so that the door opens to the left.

- (A) Boiler
- (B) Burner
- (C) Anti-vibration boiler supports
- (D) Boiler control unit

### Dimensions

Rated heating output	kW	700	900	1100	1300	1600	1950
a	mm	2000	2000	2200	2400	2900	2900
b	mm	Installed burner length					

Dim. a: This space in front of the boiler is required to enable the cleaning of the hot gas flues.

The 800 mm clearance between the individual boilers can be reduced to 50 mm, if the control units are fitted to the opposite sides of the boiler.

### Installation conditions

- Avoid air contamination through halogenated hydrocarbons (e.g. as in sprays, paints, solvents and cleaning agents)
- Avoid very dusty conditions
- Avoid high levels of humidity
- Prevent frost and ensure good ventilation

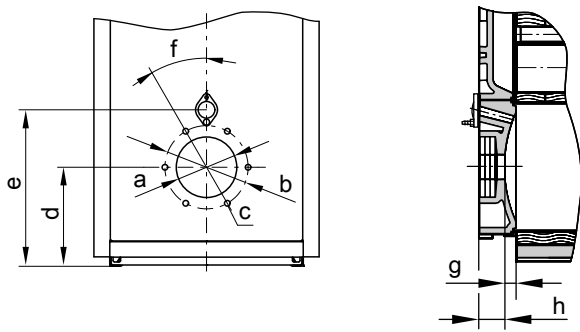
Otherwise, the system may suffer faults and damage. In rooms where air contamination through **halogenated hydrocarbons** may occur, install the boiler only if adequate measures can be taken to provide a supply of uncontaminated combustion air.

## Mounting the burner

Mount the burner plate supplied on the hinged boiler door. The burner must be fitted to the burner plate; mounting without a burner plate, immediately onto the boiler door, is not possible. Drill the burner plate supplied on site in accordance with the burner dimensions. Burner plates may be factory-fitted on request (chargeable option). For this, please state the burner make and type when ordering.

The blast tube must protrude through the thermal insulation on the boiler door. The burner must not exceed a maximum weight of 180 kg, otherwise it will need to be supported on site.

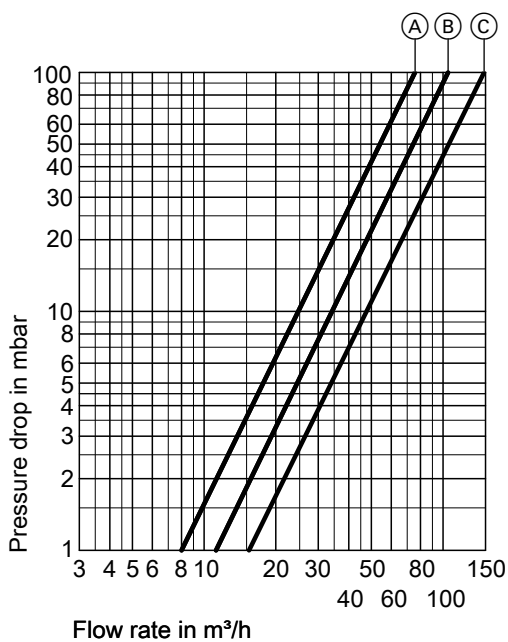
## Boiler specification (cont.)



### Dimensions

Rated heating output	kW	700	900	1100	1300	1600	1950
a	∅mm	350	350	400	400	400	400
b	∅mm	400	400	490	490	490	490
c	Number/ thread	6/M12					
d	mm	525	525	580	580	640	640
e	mm	785	785	885	885	970	970
f	°	15	15	30	30	30	30
g	mm	75	75	75	75	75	75
h	mm	150	150	150	150	170	170

## Pressure drop on the heating water side



The Vitoplex 200 is only suitable for fully pumped hot water heating systems.

- (A) Rated heating output 700 and 900 kW
- (B) Rated heating output 1100 and 1300 kW
- (C) Rated heating output 1600 and 1950 kW

## Specification, Vitotrans 300

### Specification

Vitotrans 300		Z007 212	Z007 213	Z007 214
– Gas operation		Z007 215	Z007 216	Z007 217
– Oil operation				
Rated boiler output	Part no. Part no.	620-900	630-1300	1600-2000
<b>Rated output of the Vitotrans 300 for</b>				
– Gas operation	from kW	62.0	63.0	160.0
	to kW	94.5	136.0	204.0
– Oil operation	from kW	43.0	44.0	115.0
	to kW	64.0	93.0	140.0
<b>Permiss. operating pressure</b>	bar	6		
<b>Permissible flow temperature</b> (= safety temperature)	°C	110		
<b>Hot gas pressure drop</b>	Pa mbar	40-80 0.4-0.8	40-160 0.4-1.6	100-175 1.0-1.75
<b>Flue gas mass flow rate</b>	from kg/h to kg/h	1010 1500	1057 2160	2670 3300
<b>Overall dimensions</b>				
Total length (dim. f)	mm	1046		1200
Total width (dimension m), incl. mating flanges	mm	1097		1226
Total height (dimension i)	mm	1783		2024
<b>Transport dimensions</b>				
Length (dimension f)	mm	1046		1200
Width (dimension m), excl. mating flange	mm	989		1112
Height (dimension a)	mm	1674		1915
<b>Total weight</b> heat exchanger incl. thermal insulation	kg	355		470
<b>Contents</b>				
Heating water	litres	215		295
Flue gas	m <sup>3</sup>	0.336		0.544
<b>Connections</b>				
Heating water flow and return	PN 16 DN	100		125
Condensate drain	∅ mm	32		
<b>Flue gas connection</b>	NW	300		350


#### Rated output range of the Vitotrans 300 and flue gas temperature

Output of the Vitotrans 300 for a flue gas cooling during gas operation of 200/65 °C, during oil operation of 200/70 °C and a heating water temperature rise in the Vitotrans 300 of 40 °C to 42.5 °C.  
For conversion to other temperatures, see chapter "Output data".

#### Hot gas pressure drop

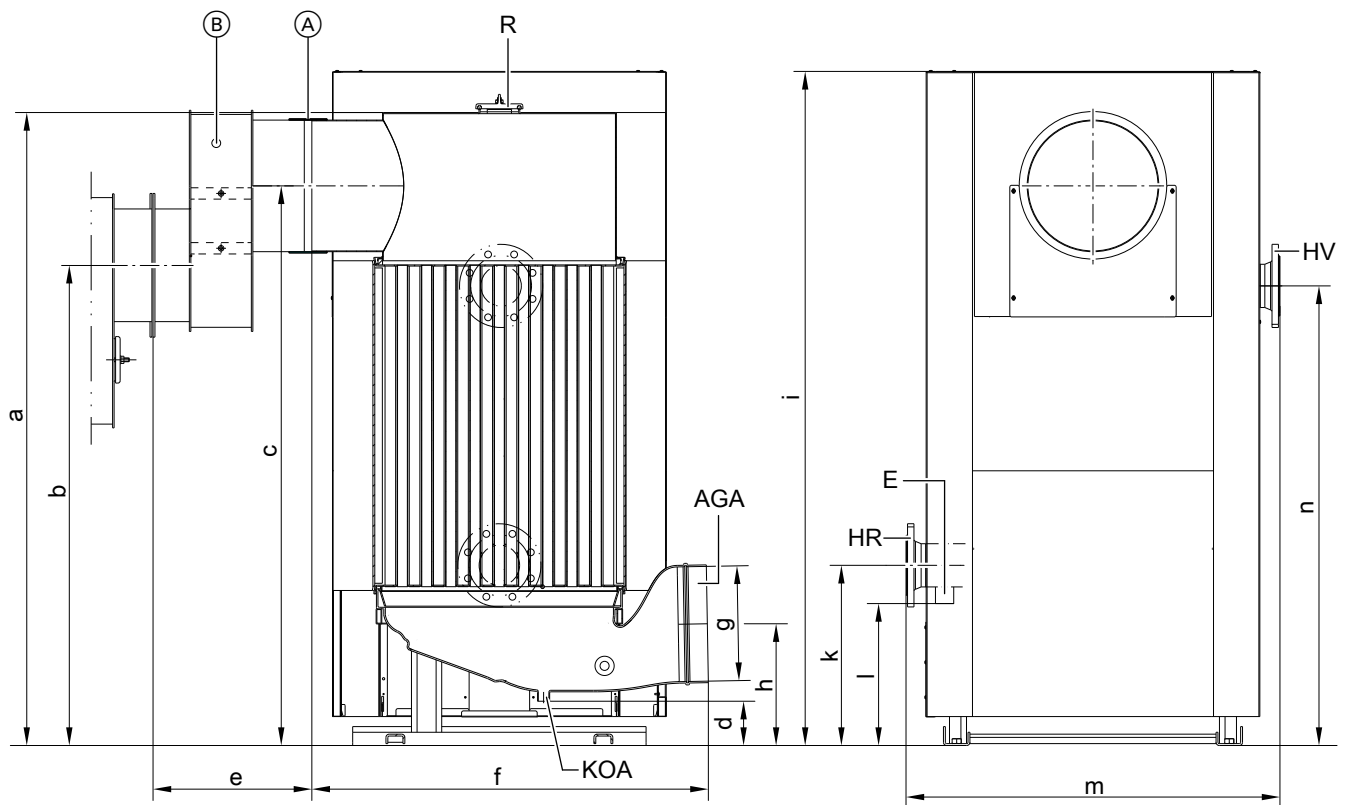
Hot gas pressure drop at rated output. The burner must be able to overcome the hot gas pressure drop of the boiler, the Vitotrans 300 and the flue pipe.

#### Approved quality

 CE designation according to current EC Directives at a permissible flow temperature (safety temperature) of up to 110 °C to EN 12828.

## Specification, Vitotrans 300 (cont.)

### Dimensions



- |   |                                 |
|---|---------------------------------|
| (A) Connection collar   | HR Heating water return (inlet) |
| (B) Offset flue adaptor (only for Z007 212 and Z007 215 for Vitoplex boilers) | HV Heating water flow (outlet)  |
| AGA Flue outlet   | KOA Condensate drain            |
| E Drain connector   | R Cleaning aperture             |

### Dimensions

Part no.		Z007 212	Z007 213	Z007 214
		Z007 215	Z007 216	Z007 217
a	mm	1694	1674	1825
b	mm	1290	1480	1600
c	mm	1500	1480	1600
d	mm	136	116	116
e	mm	420	15	15
f	mm	1046	1046	1200
g (internal)	∅ mm	301	301	352
h	mm	341	321	356
i	mm	1793	1783	1934
k	mm	496	476	580
l	mm	395	375	469
m	mm	989	989	1112
n	mm	1235	1215	1297

### Delivered condition

Heat exchanger body with fitted flue gas header and integral feet.  
Mating flanges and screws are fitted to the connector.

- 1 Crate with offset flue adaptor
- 1 Carton with thermal insulation for offset flue adaptor

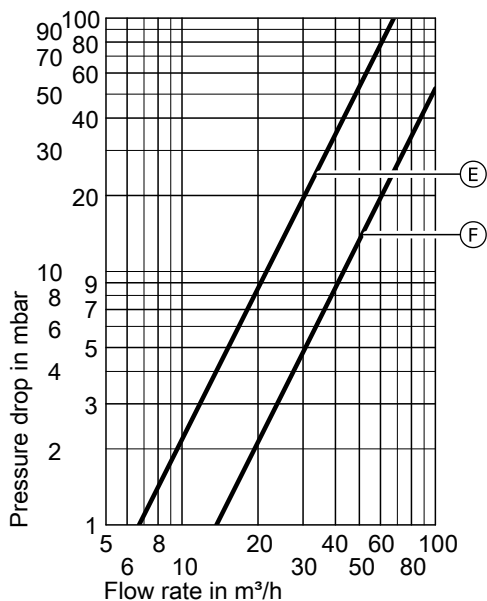
- 1 Carton with thermal insulation for flue gas/water heat exchanger
- 1 Carton with collar



## Specification, Vitotrans 300 (cont.)

### Pressure drop on the heating water side

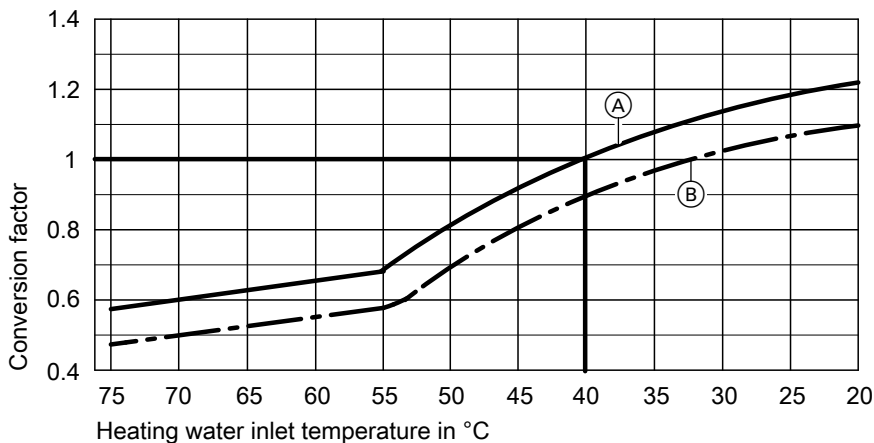
Part no. Z007 212 to Z007 217



Part no.	Curve
Z007 212	Ⓔ
Z007 213	
Z007 215	
Z007 216	
Z007 214	
Z007 217	Ⓕ

### Output data

Vitotrans 300 for gas operation



- Ⓐ Flue gas inlet temperature 200 °C  
 Ⓑ Flue gas inlet temperature 180 °C

#### Conversion of the output data

The output data of the Vitotrans 300 flue gas/water heat exchanger refers to a flue gas inlet temperature of 200 °C and a heating water inlet temperature into the heat exchanger of 40 °C.

For different conditions the output can be calculated by multiplying the given rated output by the conversion factor established from the diagram.

### Boiler delivered condition

Boiler body with fitted boiler door, fitted cleaning cover and permanently fitted boiler cover.  
 Mating flanges are fitted to all connectors.  
 Foot bolts and burner plate are supplied in the combustion chamber.

- 2 Boxes with thermal insulation and 1 cleaning brush
- 1 Box with boiler control unit and 1 bag containing technical documentation
- 1 Product pack (coding card and technical documentation)

## Boiler delivered condition (cont.)

### Control unit versions

#### For single boiler systems:

- **Vitotronic 100** (type GC1B)  
Boiler control unit for constant boiler water temperature
- **Vitotronic 200** (type GW1B)  
Weather-compensated boiler control unit
- **Vitotronic 300** (type GW2B)  
Weather-compensated boiler and heating circuit control unit for up to 2 heating circuits with mixers
- **Vitotronic 200-H** (type HK1B or HK3B)  
Weather-compensated heating circuit control unit for 1 or up to 3 heating circuits with mixers
- **Vitocontrol control panel**

#### For multi boiler systems (up to 4 boilers):

- **Vitotronic 100** (type GC1B) and **LON module** with **Vitotronic 300-K** (type MW1B)  
For weather-compensated cascade control of up to 4 boilers and control of up to 2 heating circuits with mixers.  
(The first boiler is delivered with the standard control equipment for the multi boiler system.)
- **Vitotronic 100** (type GC1B) and **LON module** for every additional boiler in the multi boiler system
- **Vitotronic 200-H** and **LON module** (type HK1B or HK3B) for 1 or up to 3 heating circuits with mixers
- **Vitocontrol control panel**

## Boiler accessories

See pricelist and "Boiler accessories" datasheet.

## Operating conditions with Vitotronic boiler control units

For water quality requirements, see the technical guide to this boiler

Operation with burner load	Requirements	
	≥ 60 %	< 60 %
1. Heating water flow rate	None	
2. Boiler return temperature (minimum value) <sup>*5</sup>	– oil operation 40 °C – gas operation 53 °C	– oil operation 53 °C – gas operation 58 °C
3. Lower boiler water temperature	– oil operation 50 °C – gas operation 60 °C	– oil operation 60 °C – gas operation 65 °C
4. Two-stage burner operation	Stage 1, 60 % of rated heating output	No minimum load required
5. Modulating burner operation	Between 60 and 100 % of rated heating output	No minimum load required
6. Reduced mode	Single boiler systems and lead boiler of multi boiler systems – operation with the lower boiler water temperature Lag boilers of multi boiler systems – can be shut down	
7. Weekend setback	As per reduced mode	

## Notes

### Mounting a suitable burner

Delivery without burner.

Suitable pressure-jet oil/gas burners are available from Weishaupt or ELCO and should be ordered separately (see pricelist). Delivery direct from Weishaupt or ELCO.

The material of the burner head must be suitable for operating temperatures of at least 500 °C.

#### Pressure-jet oil burner

The burner must be tested and designated to EN 267.

#### Pressure-jet gas burner

The burner must be tested to EN 676 and CE-designated in accordance with Directive 2009/142/EC.

#### Burner adjustment

Adjust the oil or gas throughput of the burner to suit the rated boiler heating output.

## Permissible flow temperatures

Hot water boiler for permissible flow temperatures (= safety temperatures)

- up to 110 °C  
**CE designation:**  
CE-0085 in accordance with the Gas Appliances Directive
- above 110 °C (up to 120 °C on request)  
**CE designation:**  
CE-0035 in accordance with the Pressure Equipment Directive  
Additional safety equipment is required for operation above a safety temperature of 110 °C.

<sup>\*5</sup> The technical guide (system examples) contains a relevant system example for the installation of a return temperature raising facility.

## Notes (cont.)

- Boilers with a safety temperature **above 110 °C** must be supervised in accordance with the Health & Safety at Work Act [Germany]. In accordance with conformity assessment diagram no. 5 of the EU Pressure Equipment Directive, these boilers must be categorised as class IV.  
The system must be tested prior to commissioning.
- Annually – external inspection (inspection of the safety equipment and the water quality)
- Every three years – internal inspection (alternatively water pressure test)
- Every nine years – water pressure test (for max. test pressure, see the type plate)  
The test must be carried out by an approved inspection body (e.g. TÜV [in Germany]).

## Further information on design/engineering

See the technical guide to this boiler.

## Tested quality



CE designation according to current EC Directives.



ÖVGW quality mark according to the Quality Mark Ordinance 1942 DRGBI. I for gas and water equipment.

Subject to technical modifications.

Viessmann Werke GmbH&Co KG  
D-35107 Allendorf  
Telephone: +49 6452 70-0  
Fax: +49 6452 70-2780  
[www.viessmann.com](http://www.viessmann.com)

Viessmann Limited  
Hortonwood 30, Telford  
Shropshire, TF1 7YP, GB  
Telephone: +44 1952 675000  
Fax: +44 1952 675040  
E-mail: [info-uk@viessmann.com](mailto:info-uk@viessmann.com)

5727 158 GB